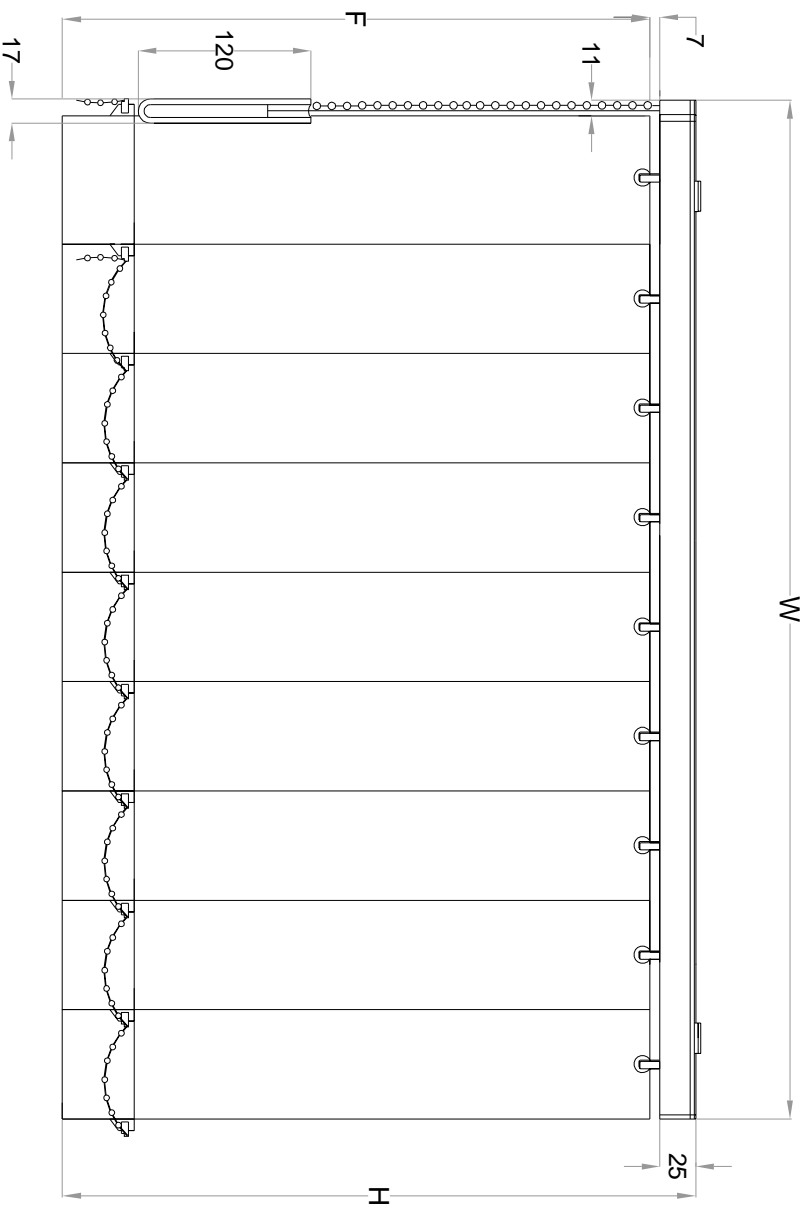


Parts	零件
1 Cord Weight	白繩墜
2 Endless Double Ball Chain	膠珠鏈
3 Pull Cord	拉繩
4 Bracket	安裝碼
5 Aluminum Rail	白鋁頂槽
6 Carrier	走朱
7 Louver Hanger	片夾
8 Fabric	簾布
9 Ballast Weight	片墜
10 Linking Chain	片墜珠鏈

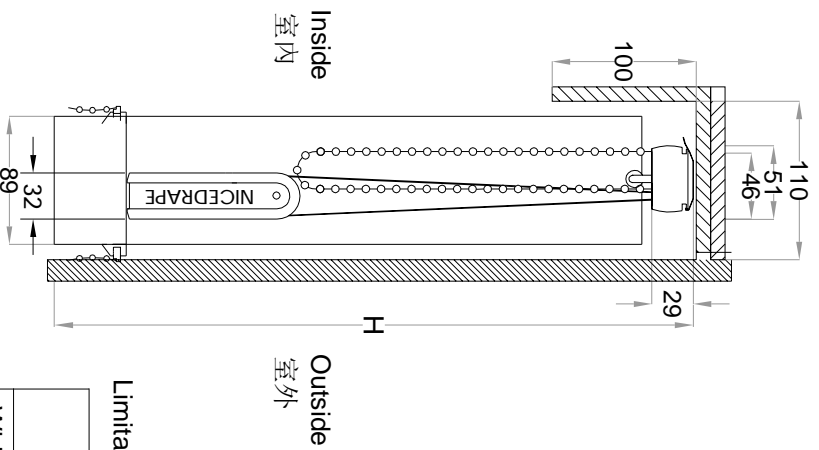
Title: 麗絲迪垂直簾 MK4 型  
 Nicedrape Vertical Blind MK4 Type

SCALE :	NTS	DESIGNED BY :	GZENG	DATE :	20 January, 2010
JOB NO. :	NIL	DRAWN BY :	LJP	CAD FILE :	EDCH-3030.DWG
REVIEW & APPROVAL FOR SUBMISSION BY :	GZENG			DWG. No. :	EDCH-3030A





ELEVATION VIEW 正視圖

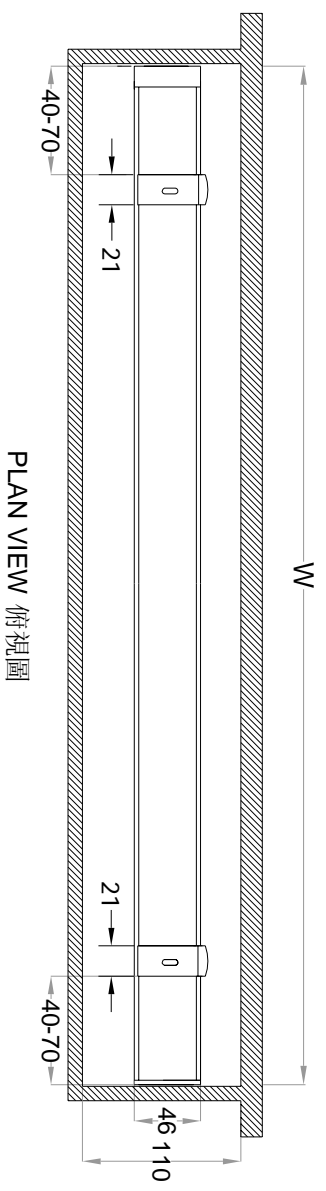


SECTION VIEW 側視圖

Limitation (產品限制)

Width (mm) 寬度 (毫米)	Minimum 最低	Maximum 最高
1000	1000	4000
Height (mm) 高度 (毫米)	1000	3000

W: Blind Width 簾寬度  
 H: Blind Height 簾高度  
 F: Fabric Height 布高度



PLAN VIEW 俯視圖

Note(注意):  
 建议窗帘盒使用2层15mm夹板或混凝土,不能直接安装在石膏板  
 Do not recommend installation on gypsum board directly, and  
 suggested to install on double layer plywood (15mm each)  
 or concrete ceiling

Title: 麗絲迪垂直簾 MK4型  
 Nicedrape Vertical Blind MK4 Type

SCALE :	NTS	DESIGNED BY :	GZENG	DATE :	20 January, 2010
JOB NO. :	NIL	DRAWN BY :	LJP	CAD FILE :	EDCH-3030.DWG
REVIEW & APPROVAL FOR SUBMISSION BY :	GZENG			DWG. No. :	EDCH-3030B

